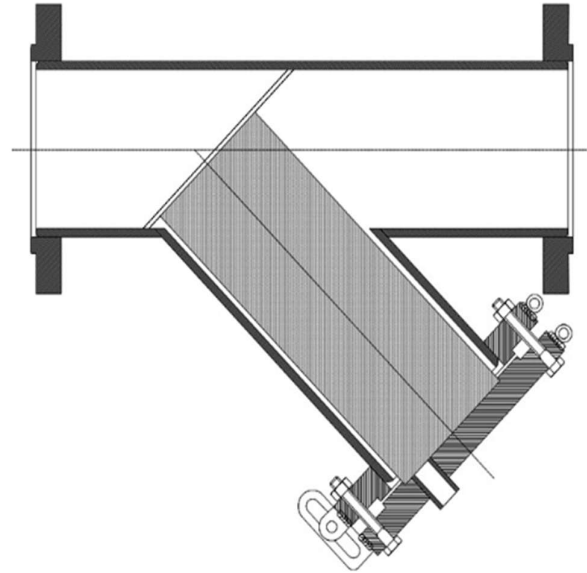


FABRICATED Y-TYPE STRAINER

Y-Type Strainer is a compact and efficient inline filtration device designed to remove solid particles from liquid, gas, steam, and process pipelines. The Y-pattern body allows installation in both horizontal and vertical pipelines while maintaining efficient filtration with minimal pressure drop.

DESIGN STANDARD	
Parameter	Specification
Design & Manufacturing	ASME B31.3
Flange Standard	ASME B16.5 / B16.47
Butt Weld Ends	ASME B16.25
Face to Face	Manufacturer Standard / ASME B16.10
Testing	Hydrostatic Test as per API 598
Pressure Class	150# to 2500#

CONSTRUCTION	
Components	Material Options
Body	Carbon Steel (WCB), SS304, SS316, Alloy Steel
Cover / Cap	Same as Body
Screen / Element	SS304 / SS316 / Duplex Stainless Steel
Gasket	PTFE / CAF / Spiral Wound
Fasteners	ASTM A193 B7 / SS304 / SS316
Blow-off Connection	Carbon Steel / Stainless Steel



PRESSURE DROP CHART

Fabricated Y-TYPE Strainers

This pressure drop chart is based on the flow of clean water through the Strainflow Engineering fabricated basket strainers with a $\frac{1}{8}$ " perforated basket.

TO USE CHARTS:

Find your desired rate of flow (GPM) on the left hand side of the chart. Follow its corresponding horizontal line to the point where it intersects the diagonal line indicating the strainer pipe size. From this point of intersection, follow the vertical line down to the bottom of the chart to determine the approximate pressure drop.

CORRECTION FACTORS:

For finer mesh baskets that are backed with a perforated sheet, multiply the pressure drops shown at right by the following:

- 40 mesh x 1.2
- 60 mesh x 1.4
- 80 mesh x 1.6
- 100 mesh x 1.7
- 150 mesh x 1.8
- 200 mesh x 2.0

